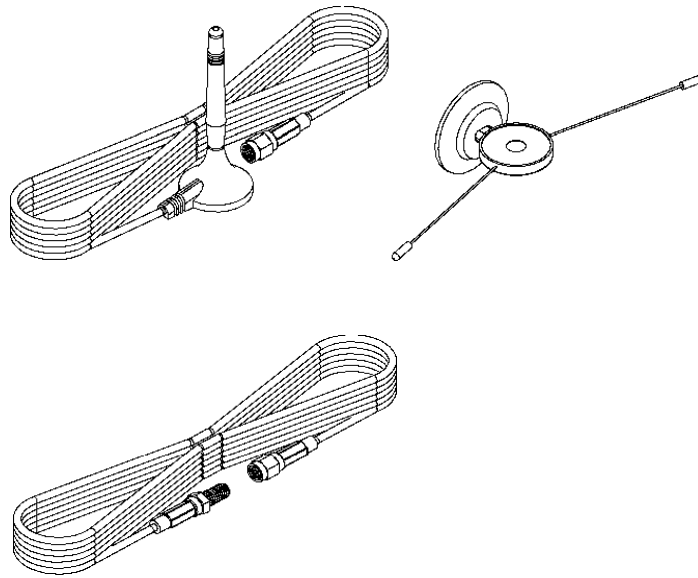




**OmniCell Communications...A World Apart**

## **Omni-Mount Window Antenna #433**

This accessory 'kit' comes standard with plenty of cable. The 3" antenna has a magnetic base and an integrated 8' cable terminating with an SMA male connector. The companion 7.5' cable extension has female SMA and male SMA connectors.



This black, monopole antenna does require a 'ground plane'. The suction cup that will mount the antenna to your window is also a ground plane. This rather futuristic-looking device will serve as the window mount, the base for your antenna, and the ground plane...all in a 7" x 2" package.

The antenna is omni-directional and will cover the US 850/1900 frequencies, the European 900/1800 frequencies, and the new UMTS band 2100 MHz.

**NOTE**...This system will connect directly to your cellular device. Ask us about our full line of connector adapters and antenna adapter cables for your handset or wireless modem.

PO Box 670411  
Marietta, GA 30066

404.218.9972  
[www.OmniCellCommunications.com](http://www.OmniCellCommunications.com)